

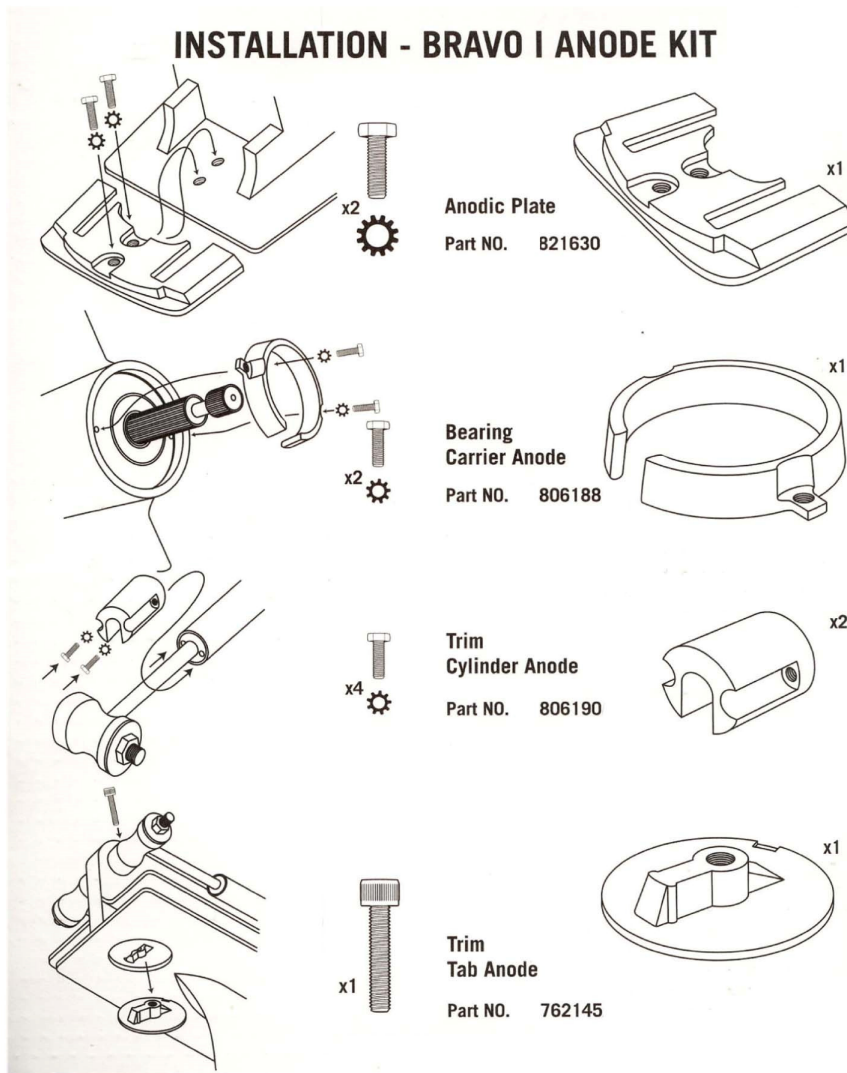


BoatZincs.com

The Online Superstore for Zinc Anodes

Anode Installation Instructions - Bravo One Kit

- Make sure your boat anodes have proper physical and electrical connections.
- An anode with a poor electrical connection cannot provide corrosion protection.
- Clean the area where your anodes will be mounted by lightly sanding or wire brushing.
- Do not paint your anodes.



www.BoatZincs.com — sales@BoatZincs.com — Tel: 978-841-9978 — Toll-Free: 866-439-9364 — FAX: 866-763-2628

Copyright 2003-2017 BoatZincs.com, Inc. All rights reserved. BoatZincs is a trademark of BoatZincs.com.