

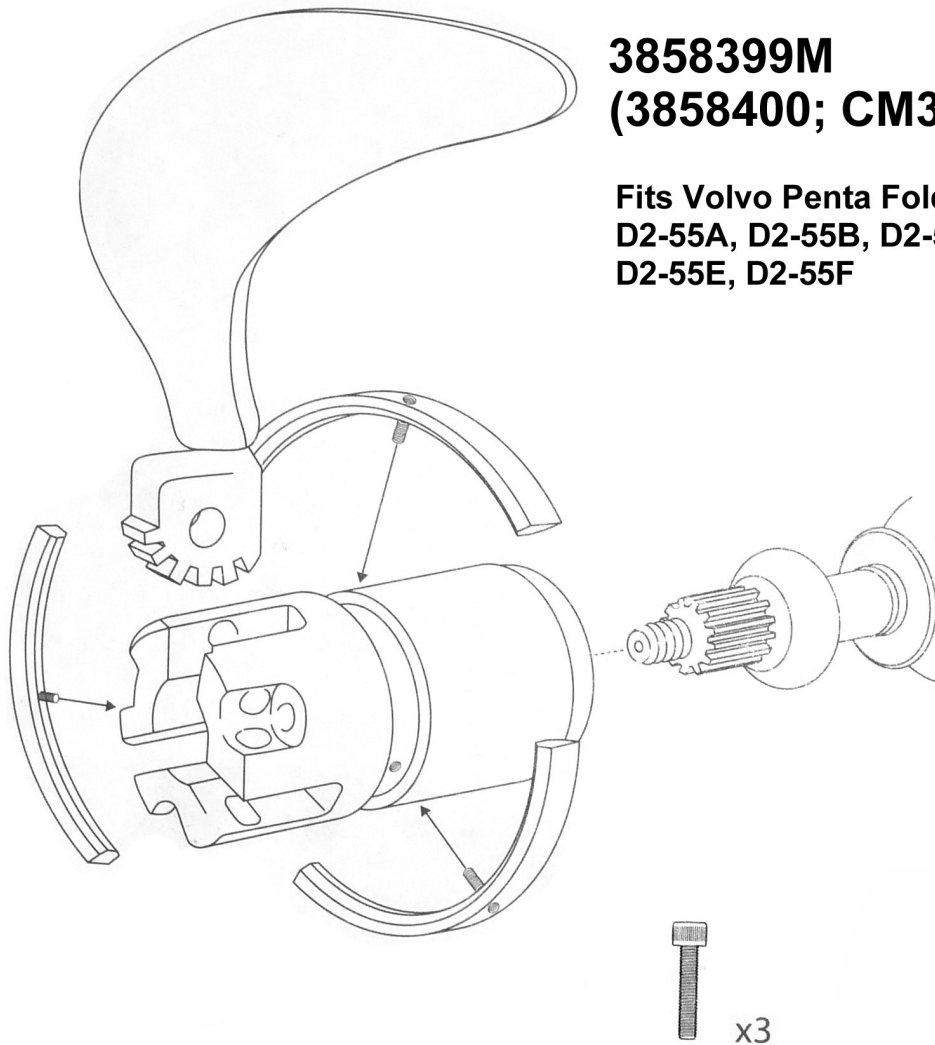


BoatZincs.com

The Online Superstore for Zinc Anodes

Anode Installation Instructions - Volvo Penta 3-PC Collar

- Make sure your boat anodes have proper physical and electrical connections.
- An anode with a poor electrical connection cannot provide corrosion protection.
- Clean the area where your anodes will be mounted by lightly sanding or wire brushing.
- Do not paint your anodes.



3858399M
(3858400; CM3858399M)

Fits Volvo Penta Folding Prop S-drives
D2-55A, D2-55B, D2-55C, D2-55D,
D2-55E, D2-55F