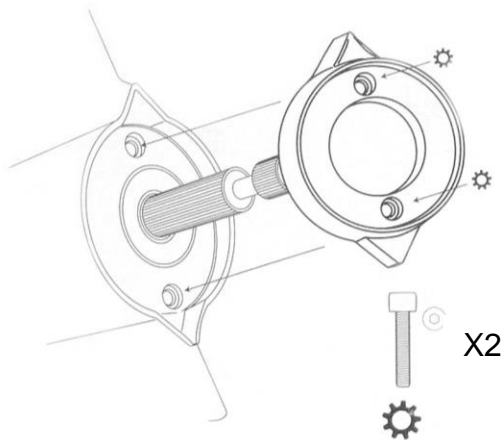




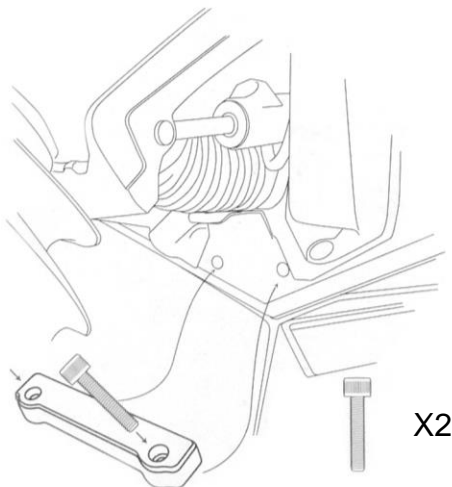
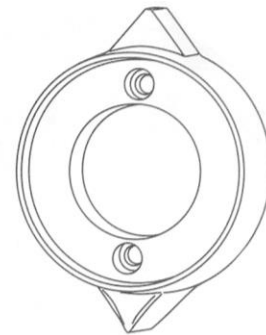
## Anode Installation Instructions

- Make sure your boat anodes have proper physical and electrical connections.
- An anode with a poor electrical connection cannot provide corrosion protection.
- Clean the area where your anodes will be mounted by lightly sanding or wire brushing.
- Do not paint your anodes.

## Volvo 280 Installation Instructions



V-18 Bearing Carrier Anode



832598 Outdrive Bar Anode

